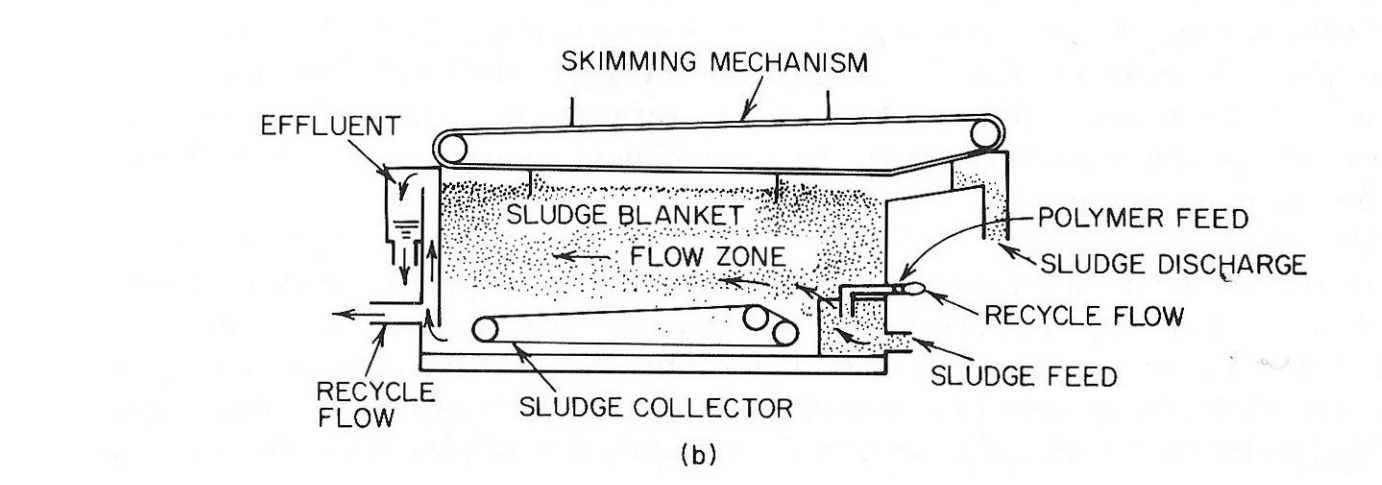
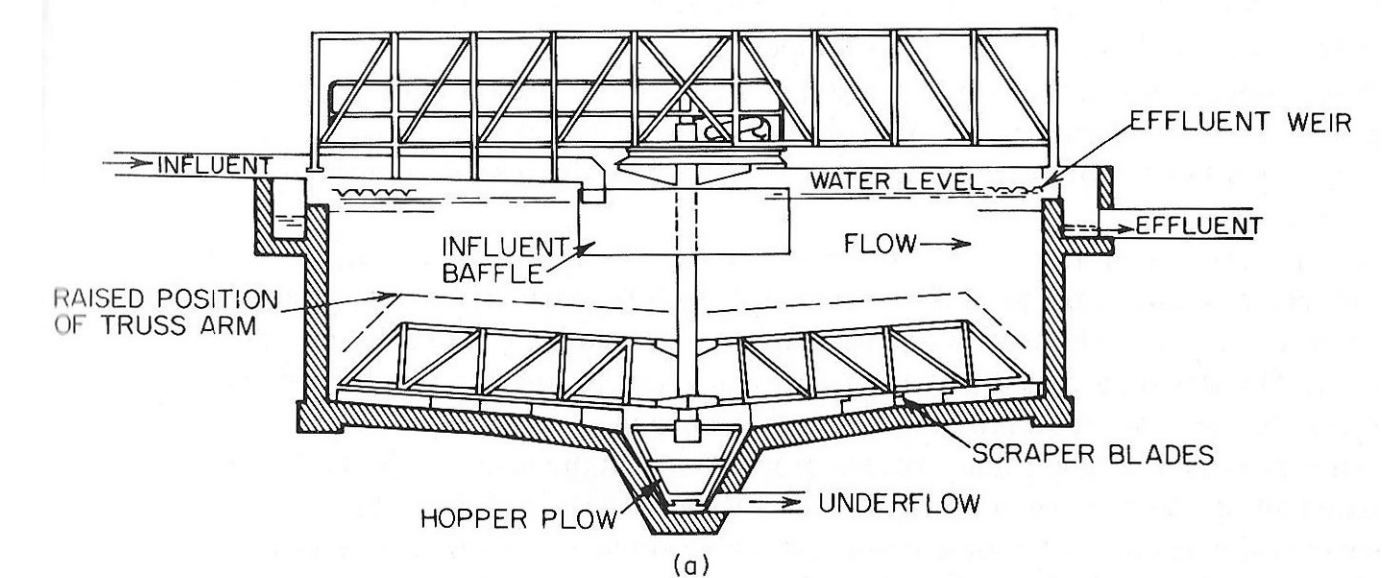


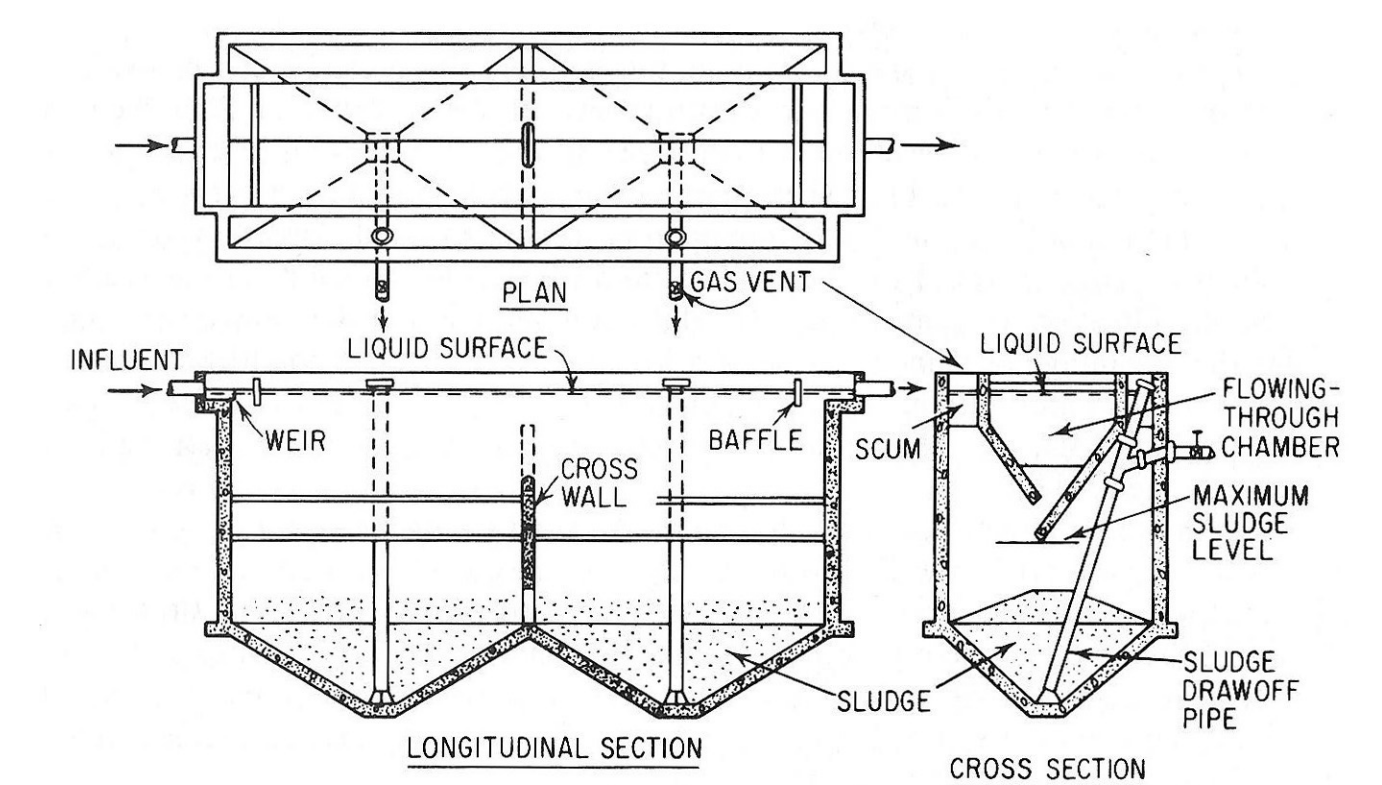
PREPARED BY:
 THE ENGINEER
 BUCKY SPARKLE, P.E.
 378 MAIN STREET, #2
 EASTHAMPTON, MA 01027
 www.theZengineer.com
 zengineerbucky@gmail.com
 (617) 271-4004

PROJECT:
 WASTEWATER TREATMENT
 PROCESS & EQUIPMENT

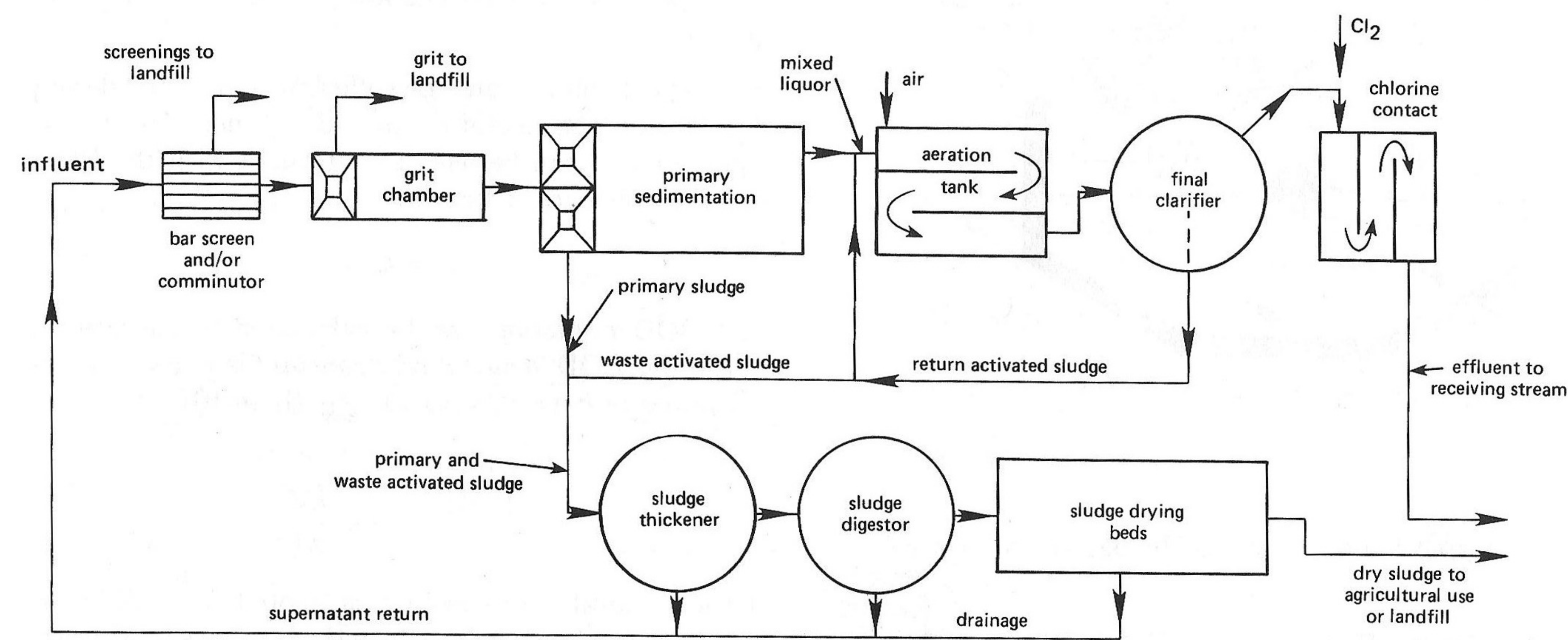
PREPARED FOR:
 DEMONSTRATION



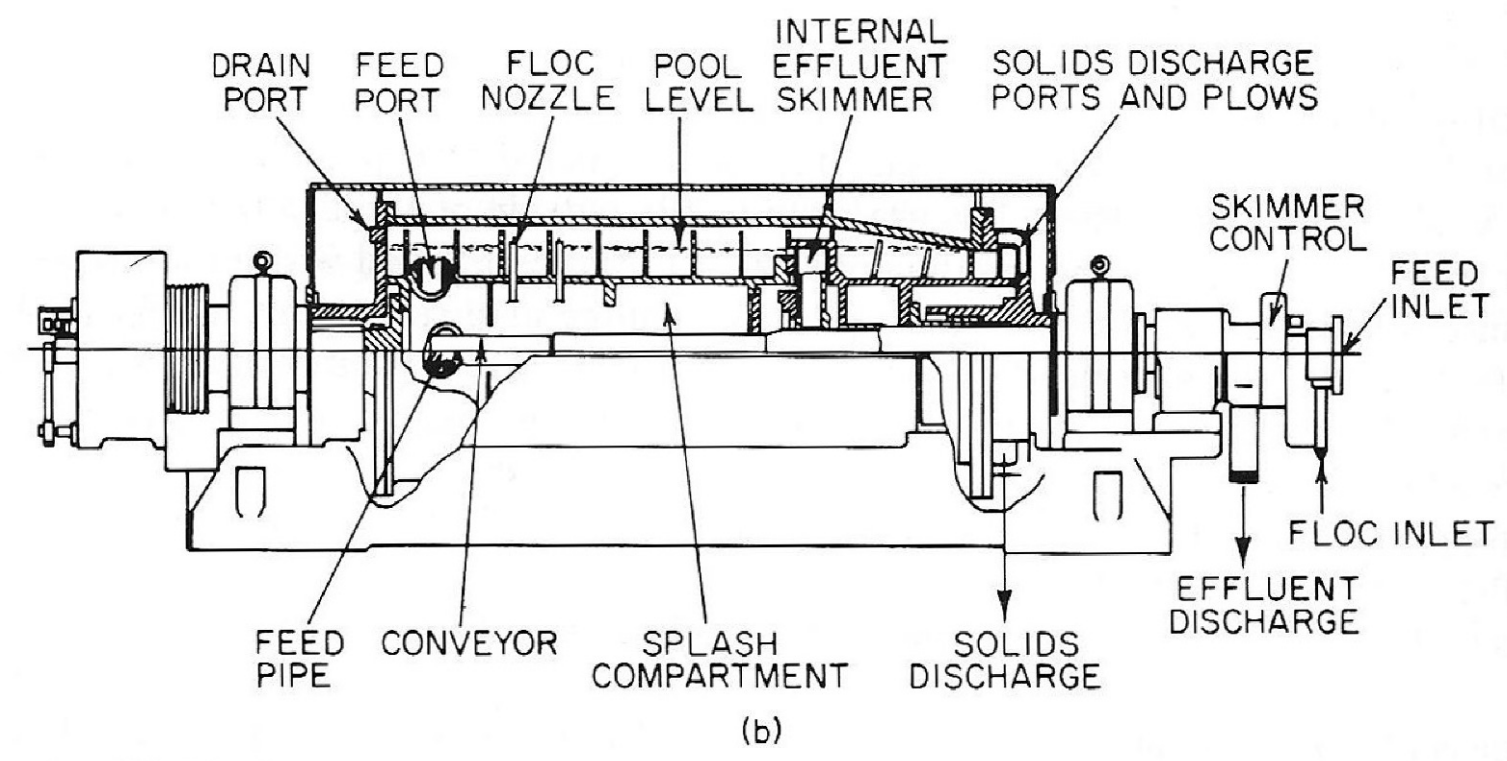
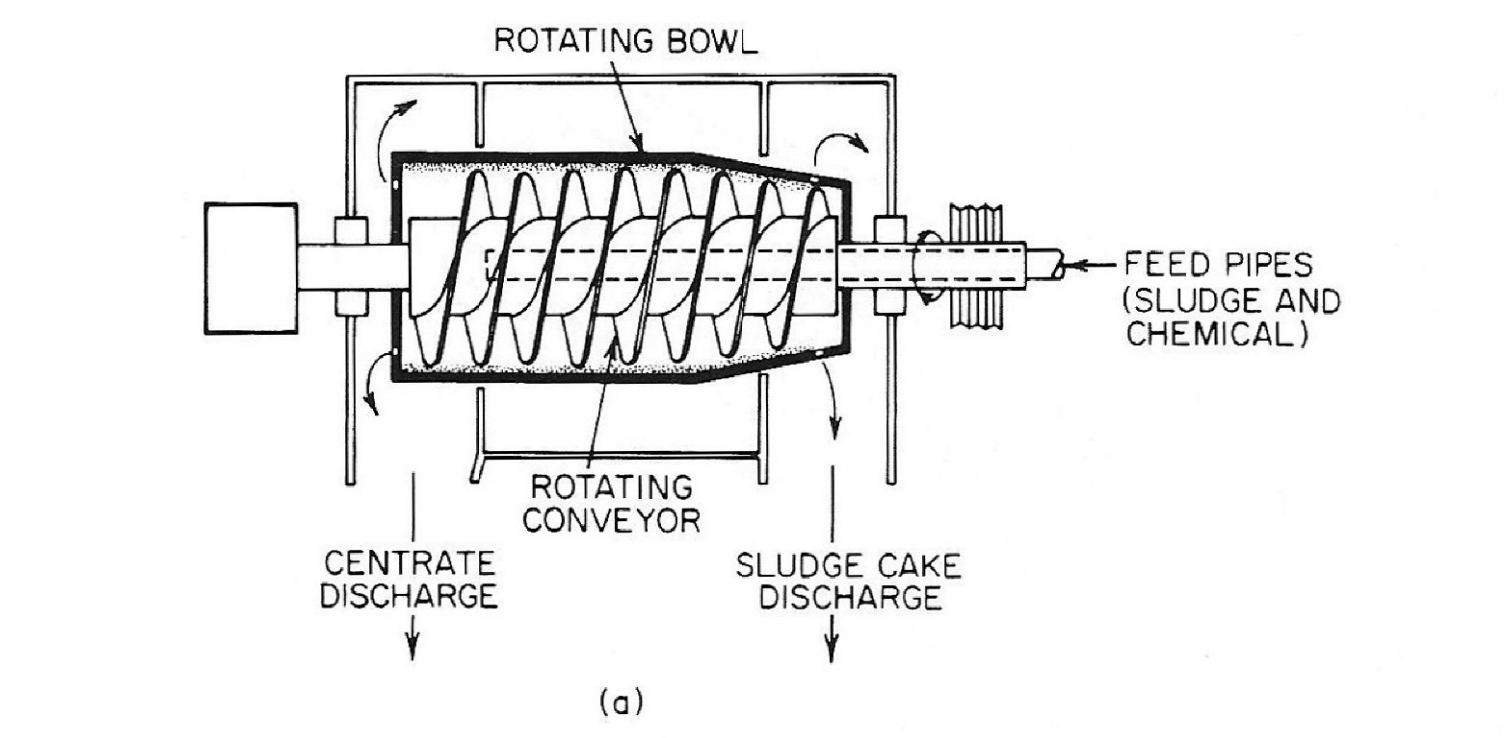
SLUDGE THICKENING EQUIPMENT
 NOT TO SCALE



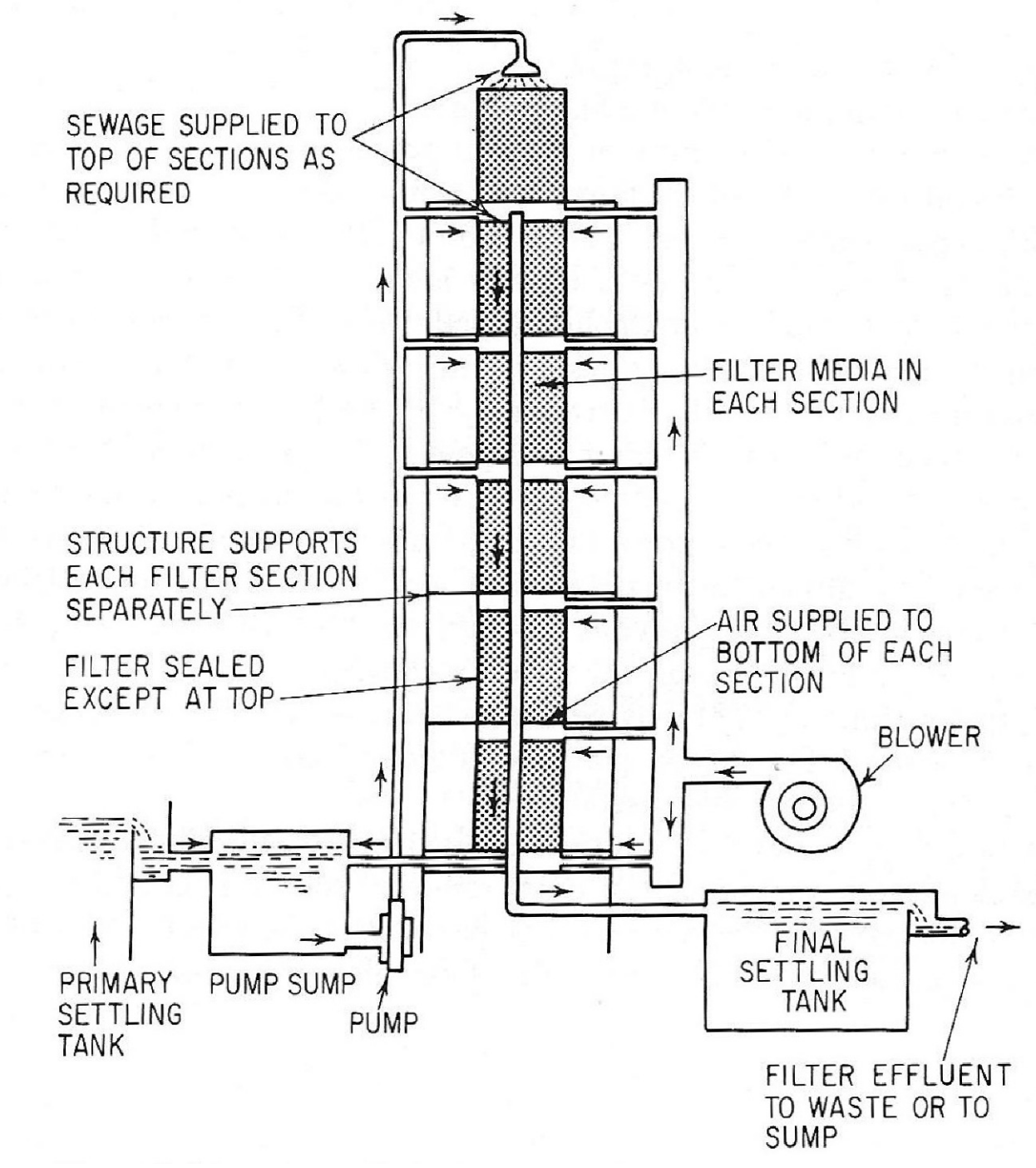
IMHOFF TANK
 NOT TO SCALE



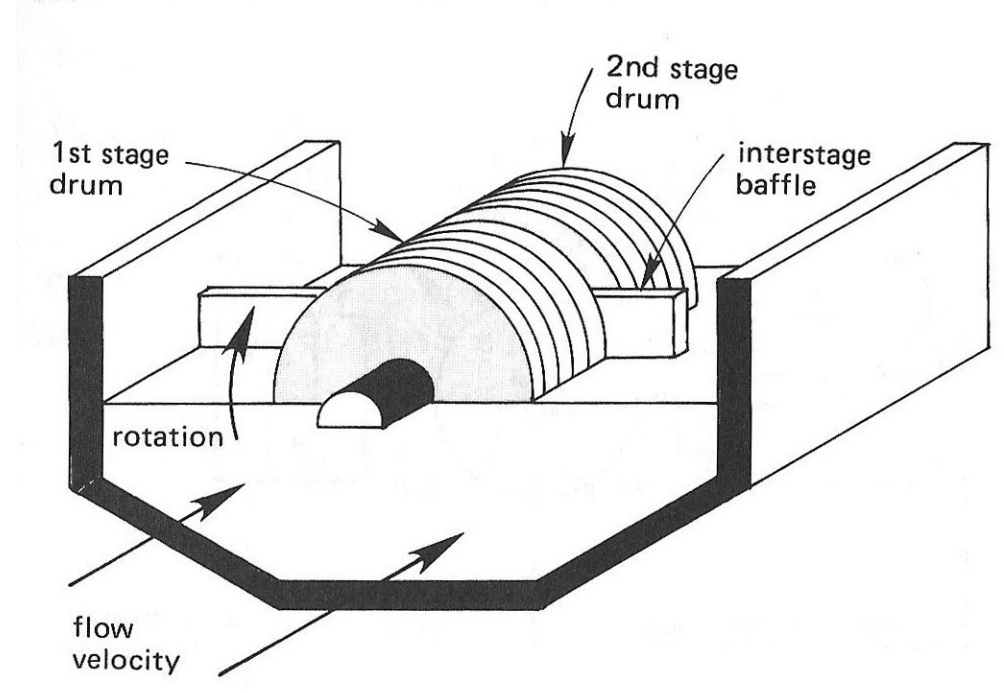
ACTIVATED SLUDGE PLANT SCHEMATIC
 NOT TO SCALE



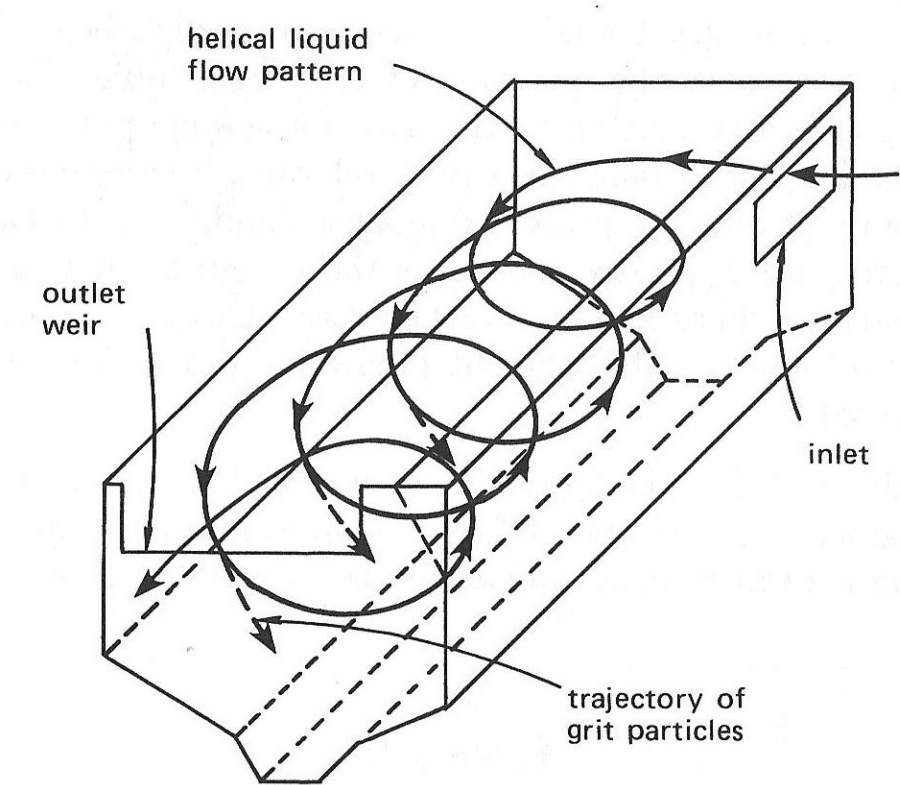
DEWATERING CENTRIFUGE
 NOT TO SCALE



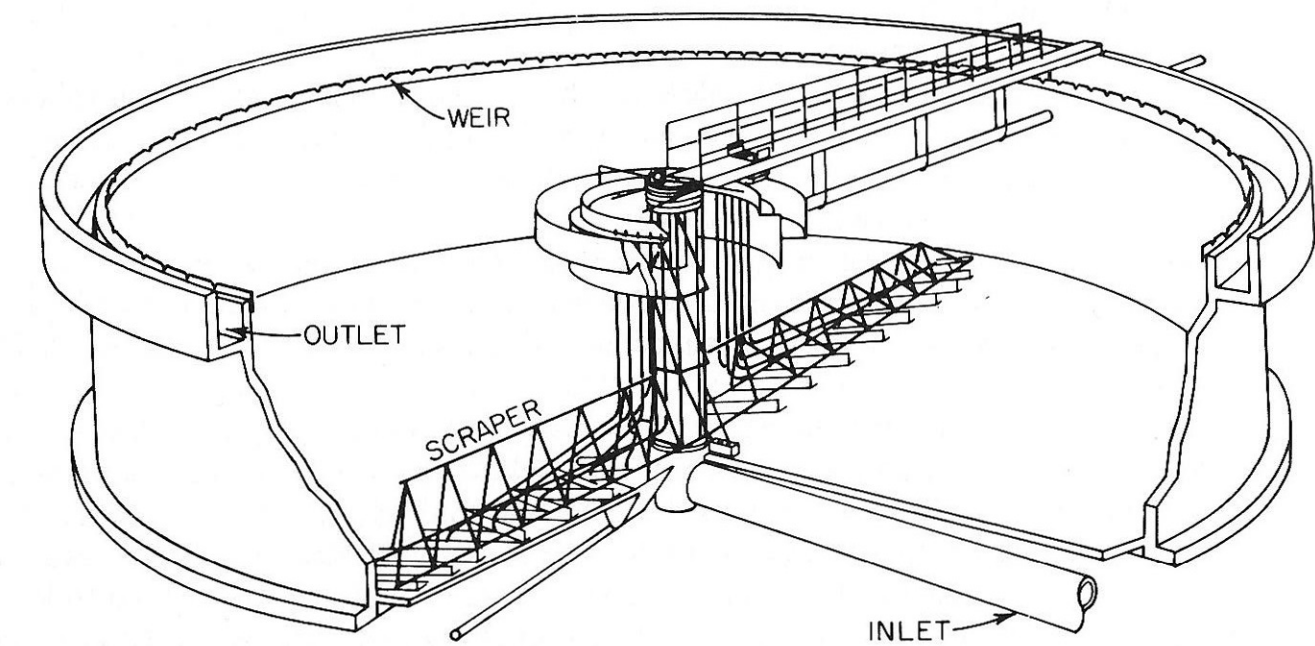
CONTROLLED FILTRATION
 NOT TO SCALE



ROTATING BIOLOGICAL CONTACTOR
 NOT TO SCALE



AERATION GRIT SEPARATOR
 NOT TO SCALE



CIRCULAR SEDIMENTATION BASIN
 NOT TO SCALE

PROJECT No.: **N/A**
 FILE NAME: Wastewater Details.DWG

No.	Revision	Date

**WASTEWATER
 PROCESS EXAMPLES**